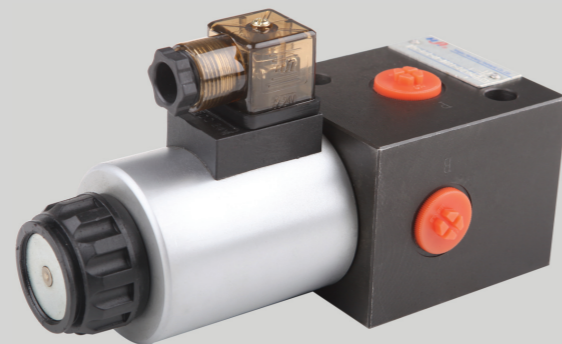
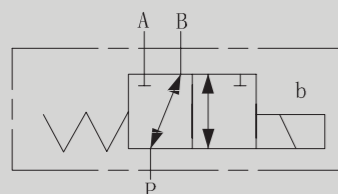


HVC-3/2-10 二位三通电磁换向阀

HVC-3/2-10 DIRECTIONAL VALVES LINE MOUNTING

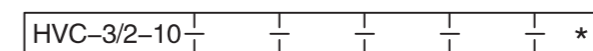
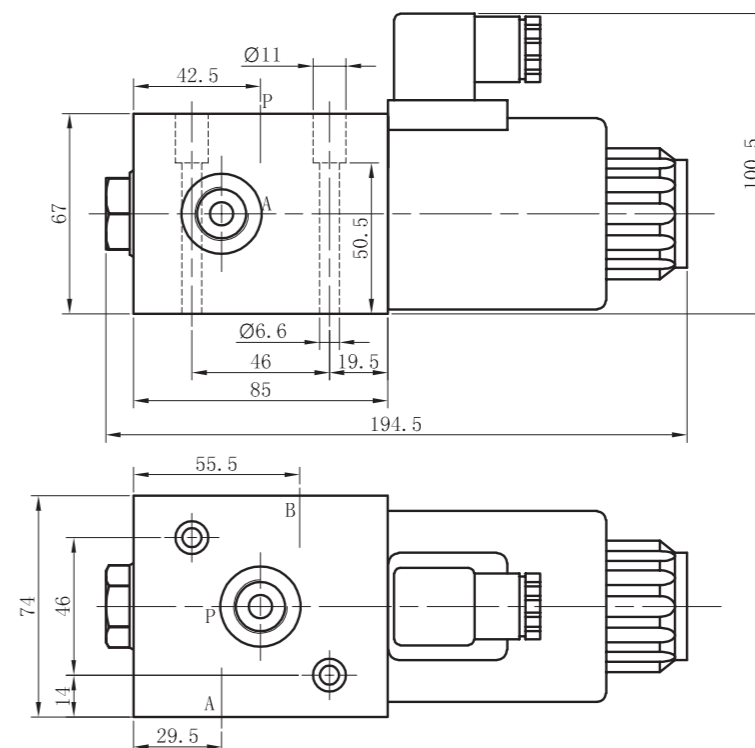
符号 SYMBOL



技术参数 Technical data

型号 Model	HVC-3/2-10
最大流量 (L/min) Max Flow rate (L/min)	80
最大工作压力 (Mpa) Max operating pressure (MPa)	21
阀体 (材料) 表面处理 Valve body (Material) Surface treatment	(铸件) 表面磷化处理 / (casting) phosphating surface
油液清洁度 Oil cleanliness	NAS1638 9级和ISO4406 20/18/15级 NAS1638 class 9 and ISO4406 class 20/18/15

HVC-3/2-10 安装尺寸/ HVC-3/2-10 Installation Dimensions



DC12=12V, DC24=24V

N=有故障检查按钮
无=没有故障检查按钮
N = With manual override
No code= Without manual override

Z5L=带灯大方形插头
Z5L=Large quadrate plug with light

特别要求单独列出
Special requirements to be briefly specified

螺纹转接 Threaded connections
无=M18 X 1.5 No code=M18X1.5
M22=M22X1.5
M20=M20X1.5
G3/8=G3/8
G1/2=G1/2