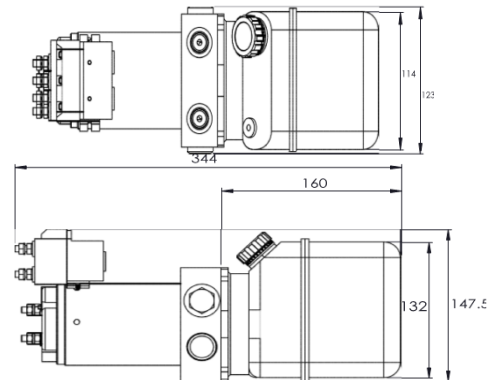
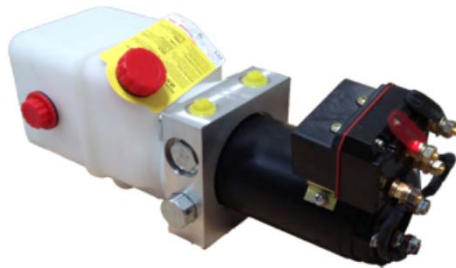
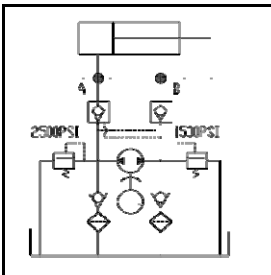


## DC Power Units - Mini Series

These Power Units are Factory built and tested and are Ex Stock. Intermittant Use only.

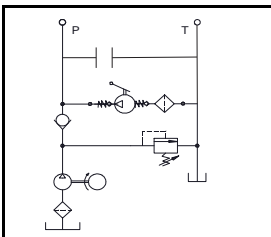
### 350w Reversible Power Units - Max Pressure 2500psi- 1.0 lpm

Part Number	Power	Volts	Pump CC	Tank Usable	Function	Relief Set
03DA131H0381P	350w	12v	0.38cc	1.5 Litres	D/A	2500psi
03DB131H0381P		24v				

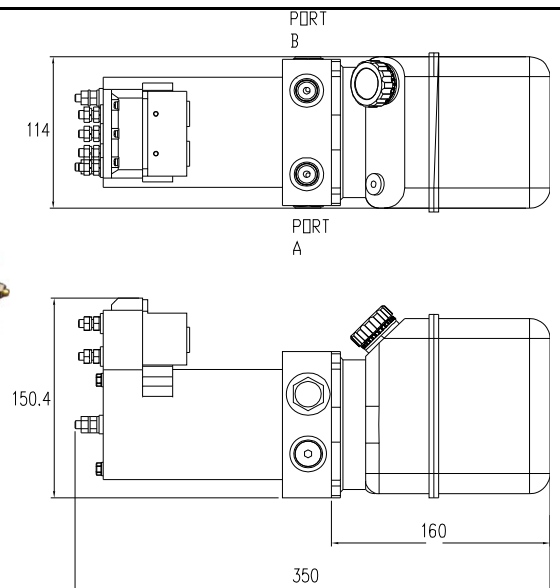
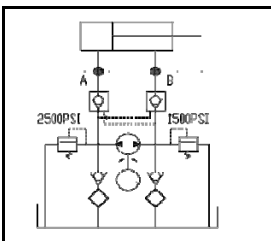
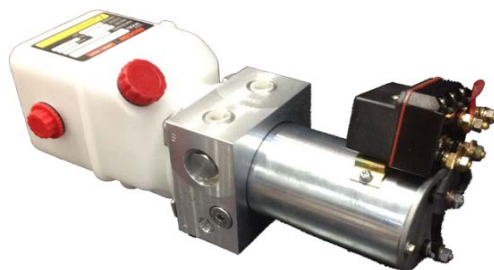


### 800w Reversible Power Units - Max Pressure 2500psi- 1.5-2.0lpm

Part Number	Power	Volts	Pump CC	Tank Usable	Function	Relief Set
08DA010H0631P	800w	12v	0.63cc	1.5 Litres	P&T	2700 psi
08DB010H0631P		24v				
08DA030H0631P		12v	0.75cc		D/A	
08DB030H0631P		24v				
08DA131H0751P	12v	0.75cc	2500psi			
08DB131H0751P	24v					



Hand Pump Option on P&T - SA

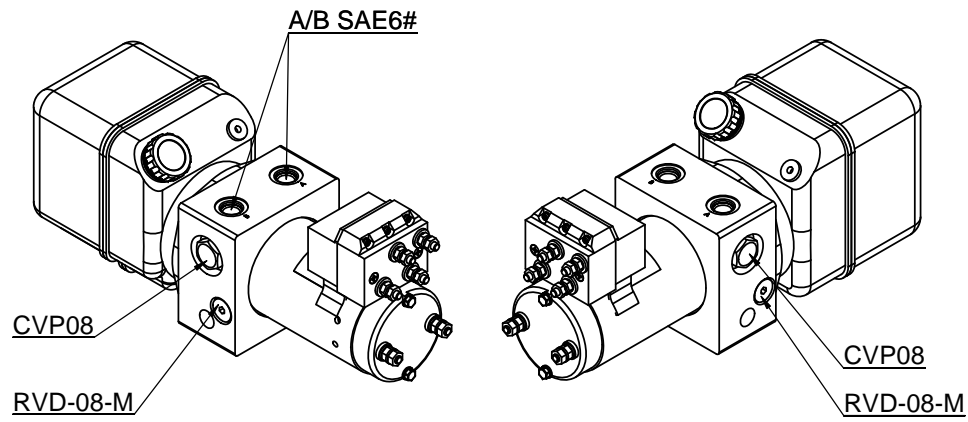
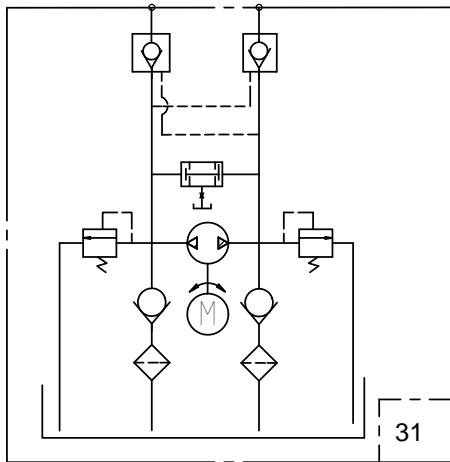
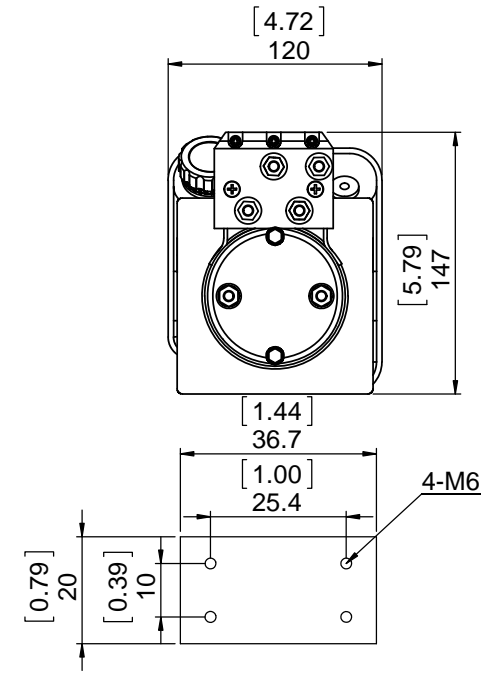
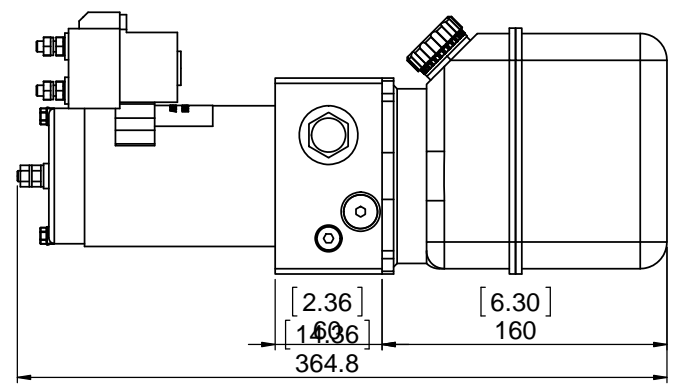


<<<< CUSTOMER APPROVAL >>>>

THIS DRAWING IS BEING SUBMITTED FOR YOUR APPROVAL OF THIS DESIGN ON YOUR APPLICATION AND REQUIREMENTS.  
A SIGNATURE IS REQUIRED BEFORE AN ORDER CAN BE PROCESSED.

APPROVED BY \_\_\_\_\_ APPROVAL DATE \_\_\_\_/\_\_\_\_/\_\_\_\_

REV	DESCRIPTION	DATE	SIGNATURE	CHECKED
XXX	XXX	00/00/00	XXX	XXX
XXX	XXX	00/00/00	XXX	XXX
XXX	XXX	00/00/00	XXX	XXX



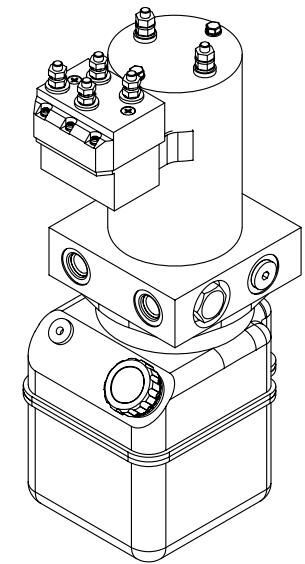
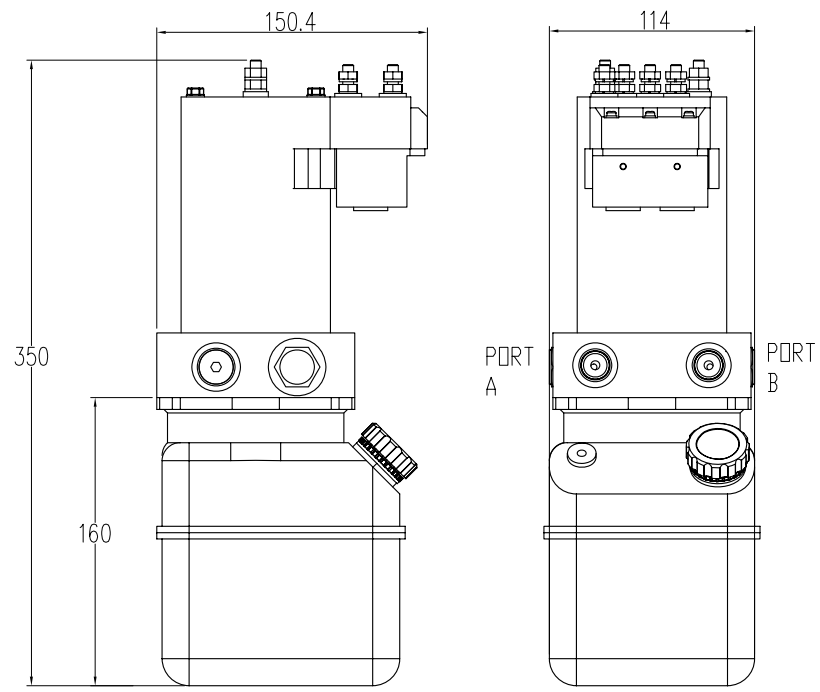
SPECIFICATIONS	
ELECTRICAL MOTOR	308A-2 DC12V/800W
FLOW RATE	2LPM
MAX. PRESSURE	2500PSI (17Mpa)
RELIEF SETTING	2500PSI (17Mpa)
GEAR PUMP DISP.	DS075 0.75ml/REV
RESERVOIR	RS1,PLASTIC,1.5L
REMOTE CONTROL	N/A
MOUNTING	VERTICAL OR HORIZONTAL
PORTING	SAE 6#

<b>MOCEN</b> FLUID POWER & CONTROLS		
DESIGNED BY VAN	CHECKED BY X	APPROVAL DATE 2014.01.26
REFER TO		
CUSTOMER 08DA131H075	FILE NAME 08D31-003.REV.B	SCALE
<b>HYDRAULIC POWER UNIT</b>		
08D31-003(08DA131H075)	REVISION A1	SHEET 1/1

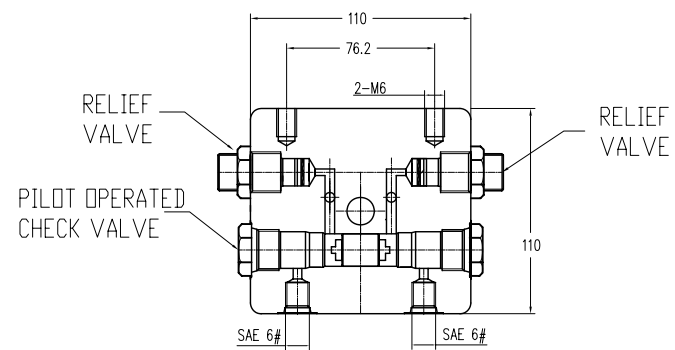
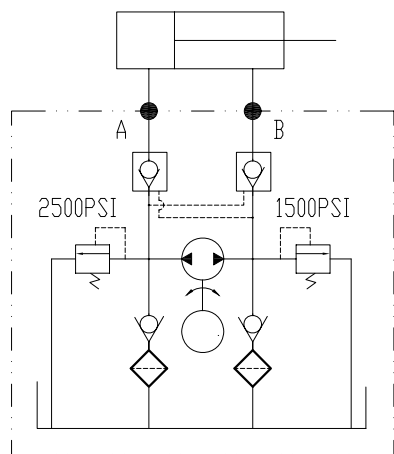
<<<< CUSTOMER APPROVAL >>>>  
 THIS DRAWING IS BEING SUBMITTED FOR YOUR APPROVAL OF THIS DESIGN ON YOUR APPLICATION AND REQUIREMENTS. A SIGNATURE IS REQUIRED BEFORE AN ORDER CAN BE PROCESSED.

APPROVED BY \_\_\_\_\_ APPROVAL DATE \_\_\_\_/\_\_\_\_/\_\_\_\_

REV	DESCRIPTION	DATE	SIGNATURE	CHECKED
XXX	XXX	00/00/00	XXX	XXX



SPECIFICATIONS	
ELECTRICAL MOTOR	308B-2, DC24V 800W
FLOW RATE	2LPM
MAX. PRESSURE	2500PSI (170Bar)
RELIEF SETTING	2500PSI ( 170Bar)
GEAR PUMP DISP.	0.75 ML/REV
RESERVOIR	RS1A,POLYETHYLENE, 1.5L
REMOTE CONTROL	N/A
MOUNTING	VERTICAL OR HORIZONTAL
PORTING	SAE 6#



View from Motor Side

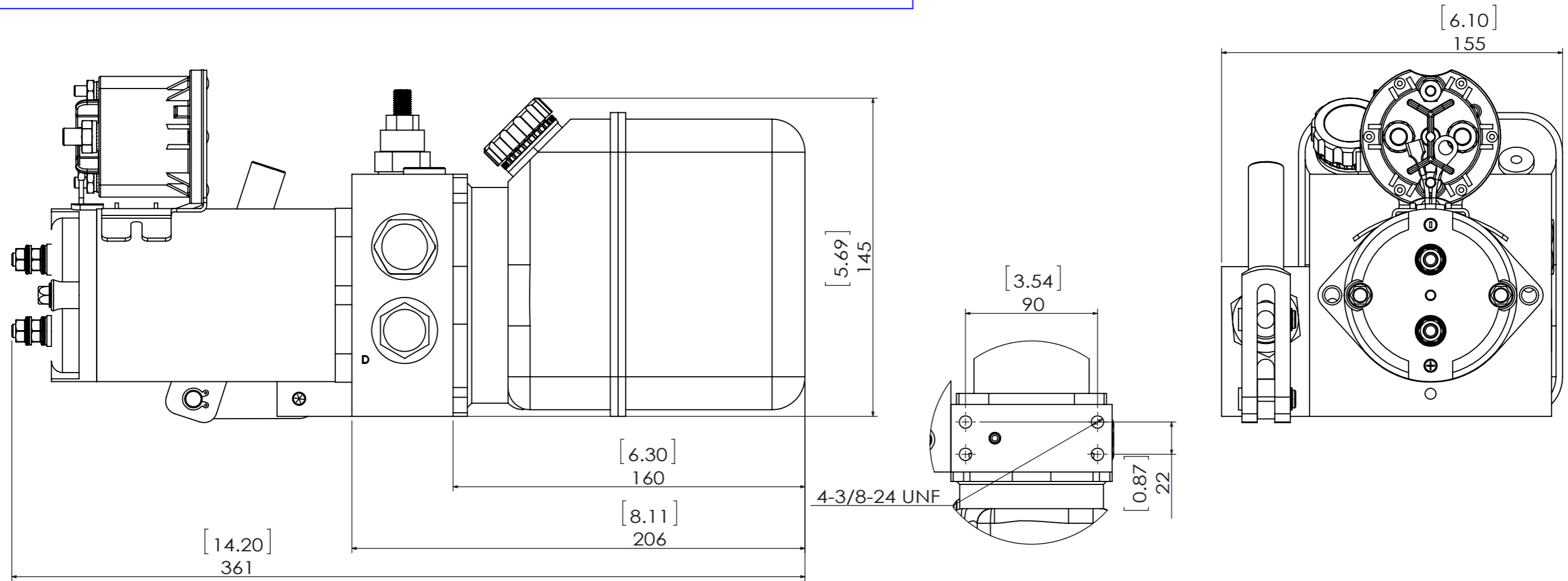
<b>MCCEN</b> FLUID POWER & CONTROLS		
DESIGNED BY SHI SHU	CHECKED BY LK	APPROVAL DATE. 2012/02/22
REFER TO		
CUSTOMER	FILE NAME 08D31-004-Rev.A	SCALE 1:1
<b>DC HYDRAULIC POWER UNIT</b>		
08D31-004		REVISION A
		SHEET 1/1

<<<< CUSTOMER APPROVAL >>>>

THIS DRAWING IS BEING SUBMITTED FOR YOUR APPROVAL OF THIS DESIGN ON YOUR APPLICATION AND REQUIRMENTS.  
A SIGNATURE IS REQUIRED BEFORE AN ORDER CAN BE PROCESSED.

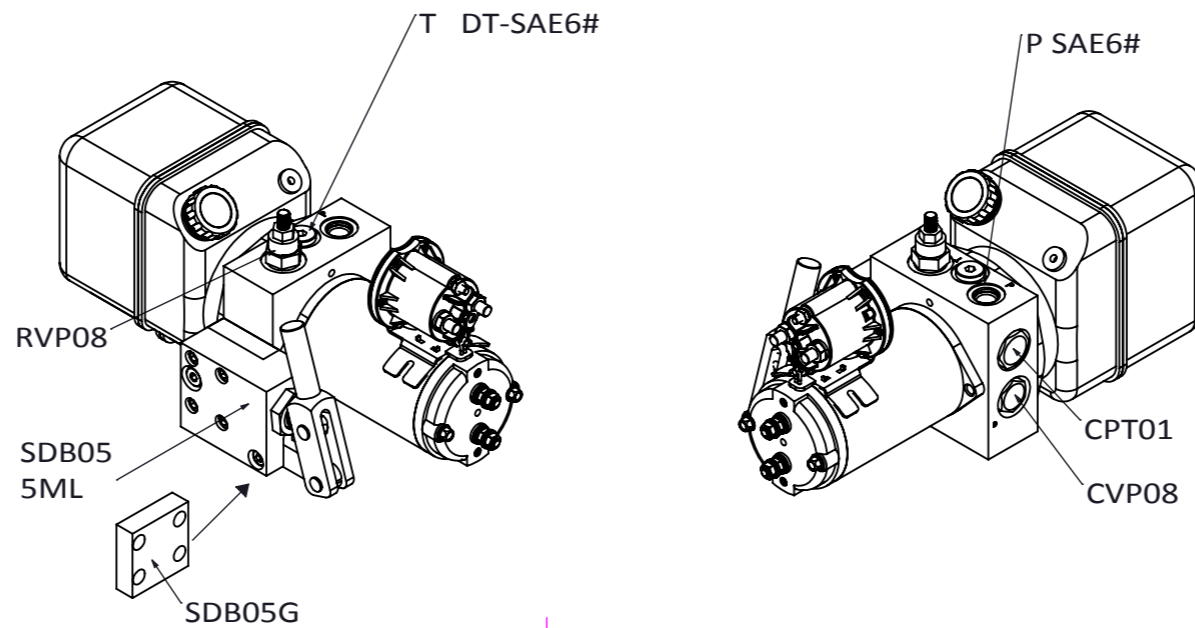
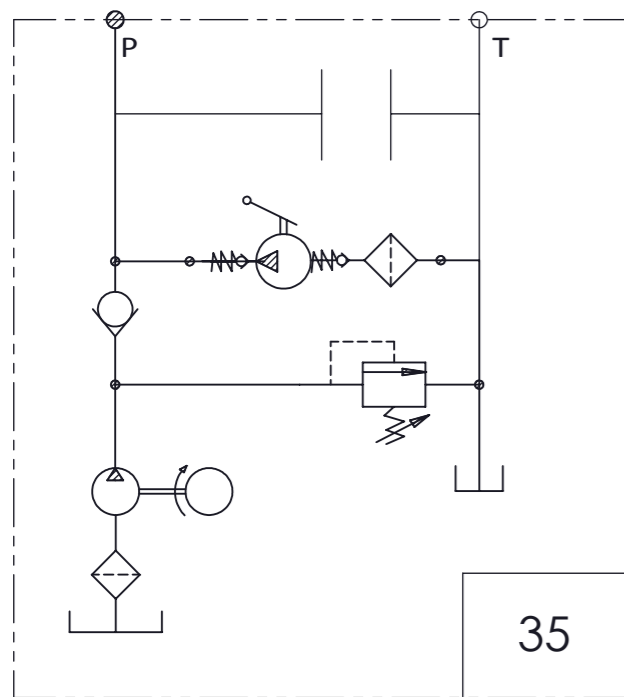
APPROVED BY \_\_\_\_\_ APPROVAL DATE \_\_\_\_\_ / \_\_\_\_\_ / \_\_\_\_\_

REV	DESCRIPTION	DATE	SIGNATURE	CHECKED
XXX	XXX	00/00/00	XXX	XXX



局部视图 A  
比例 1 : 3

SPECIFICATIONS	
ELECTRICAL MOTOR	308A-2P-M DC12V 800W 3200RPM
FLOW RATE	2LPM@100bar
MAX. PRESSURE	200bar
RELIEF SETTING	180bar
GEAR PUMP DISP.	S063 0.63ML/R
RESERVOIR	RS1A,POLYETHYLENE, 1.5L
REMOTE CONTROL	N/A
MOUNTING	VERTICAL OR HORIZONTAL
PORTING	SAE6#



<b>MCCEN</b> FLUID POWER & CONTROLS		
DESIGNED BY <b>KMC</b>	CHECKED BY X	APPROVAL DATE. <b>2015/10/13</b>
REFER TO		
CUSTOMER <b>08DA01HPH0631S</b>	FILE NAME	SCALE
<b>HYDRAULIC POWER UNIT</b>		
<b>08D35-001</b>		REVISION SHEET B